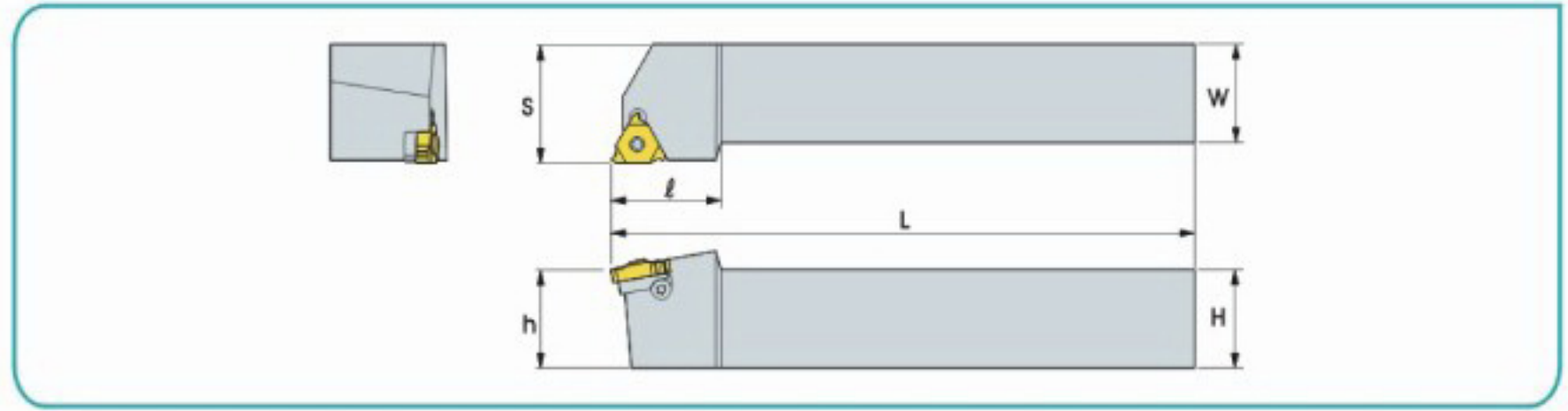
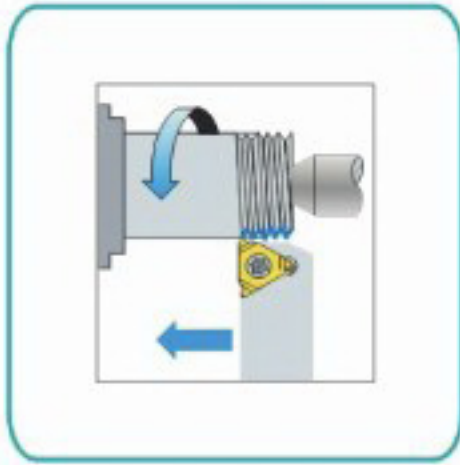
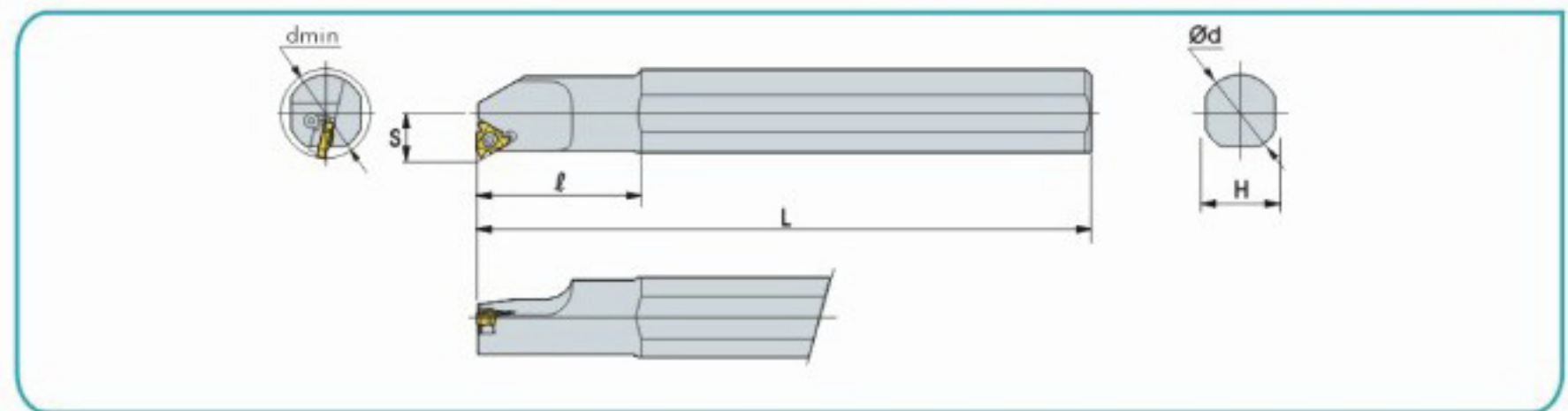
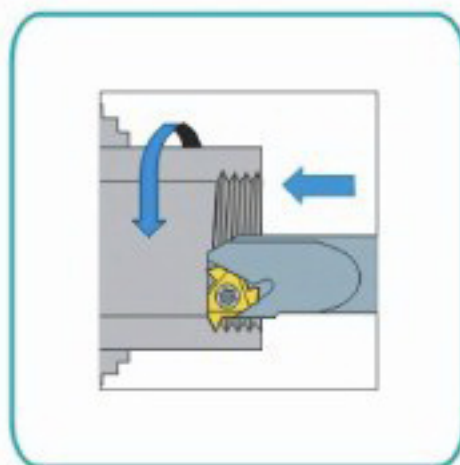


»» SER/L



Designation	Stock		Size						Inserts	Shim	Screw	Screw	Wrench
	R	L	H	W	L	s	h	t					
SER/L 1212F11	●	●	12	12	80	16	12	20.5	11ER/L□□□□	X	M2.5X8	X	T-8
1212F16	●	●	12	12	80	16	12	22			M3.5X9		T-15
1616H16	●	●	16	16	100	20	16	20.5	16ER/L□□□□	STM16	M3.5X12	M3X6N	T-15
2020K16	●	●	20	20	125	25	20	30					
2525M16	●	●	25	25	150	32	25	30					
3232P16	●	●	32	32	170	40	32	30					
2525M22	●	●	25	25	150	32	25	36	22ER/L□□□□	STM22R STM22L	M4X6	M4X6N	T-20
3232P22	●	●	32	32	170	40	32	36					
4040R22	●	●	40	40	200	50	40	36					
3232P27	●	●	32	32	170	40	32	40	27ER/L□□□□	STM27	M5X20	M4X6N	T-20
4040R27	●	●	40	40	200	50	40	40					

»» SIR/L



Designation	Stock		Size						Inserts	Shim	Screw	Screw	Wrench
	R	L	dmin	Ød	H	L	s	ℓ					
SIR/L 008K08	●		9.9	08	7	125	5.0	21	08IR/L□□□□	X	M2.2X5	X	T-6
008K08-A10	●		9.9	10	9	125	5.0	24					
008K08-A16			9.9	16	15	125	5.0	24					