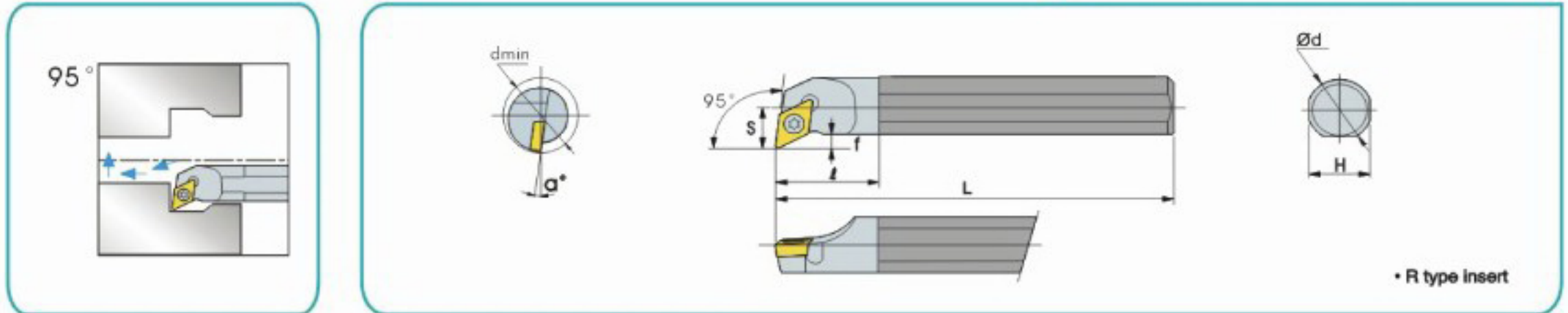
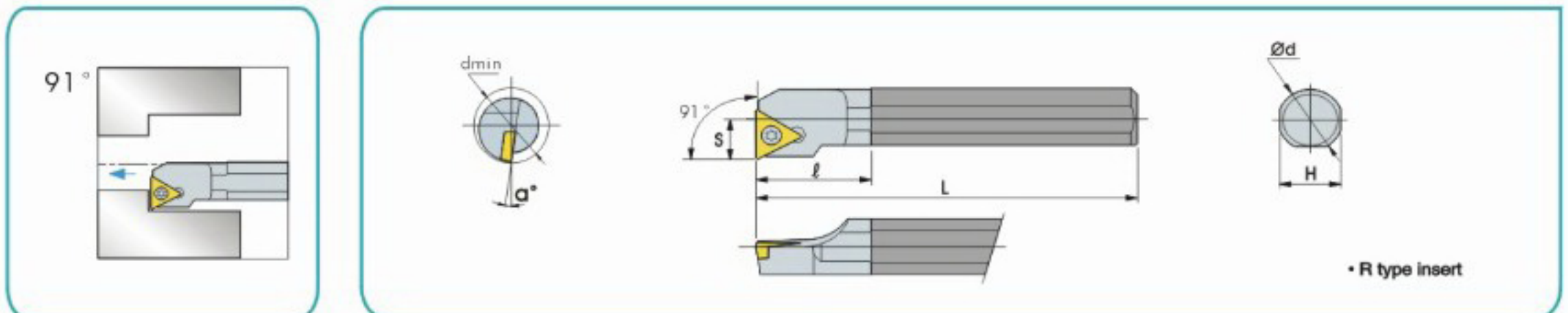


SDUCR/L



Designation	Stock		Size								Inserts	Screw	Wrench
	R	L	d _{min}	Φd	s	L	l	H	f	α°			
C10M-SDUCR/L07	●		Φ 15	10	8	125	25	9	2.7	10°	DC□□0702□□	M2.5X5	T-8
C12G-SDUCR/L07	●		Φ 17	12	9	150	25	11	2.7	8°		M2.5X6	
C16R-SDUCR/L07	●		Φ 22	16	11	180	30	15	2.7	6°			
C16R-SDUCR/L11	●		Φ 19	16	11	180	34	15	2.7	8°	DC□□11T3□□	M3.5X9	T-15
C20S-SDUCR/L11	●		Φ 23	20	13	180	40	18	2.7	6°			
C25T-SDUCR/L11	●		Φ 29	25	17	200	42	23	4	5°			

STFPR/L



Designation	Stock		Size								Inserts	Screw	Wrench
	R	L	d _{min}	Φd	s	L	l	H	α°				
C08K-STFPR/L09	●		Φ 9	8	5.5	125	20	7	15°	TP□□0902□□	M2.5X6	T-6	
C10M-STFPR/L09	●		Φ 11	10	6	125	24	9	13°				
C12G-STFPR/L09	●		Φ 13	12	7	150	27	11	10°				
C10M-STFPR/L11	●		Φ 11	10	6	125	24	9	12°	TP□□1102□□	M3X6	T-8	
C12G-STFPR/L11	●		Φ 13	12	7	150	26	11	10°				
C16R-STFPR/L11	●		Φ 17	16	9	180	32	15	8°				
C20S-STFPR/L11	●		Φ 21	20	11	180	40	18	6°				