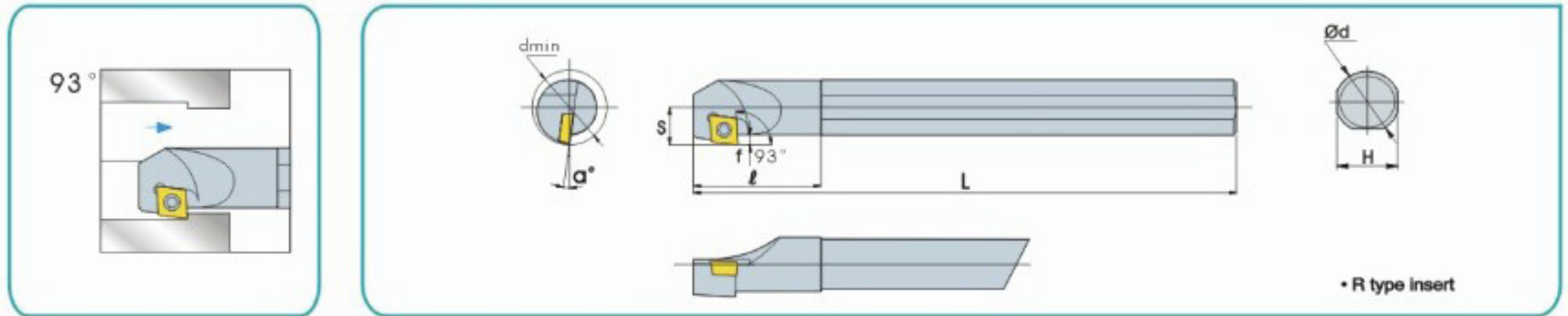
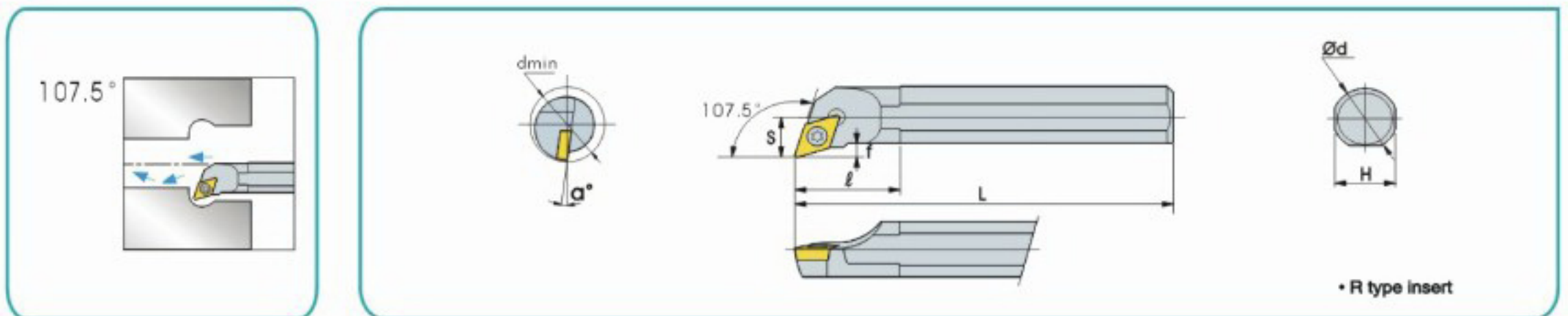


SCZCR/L



Designation	Stock		Size								Inserts	Screw	Wrench
	R	L	d _{min}	Ød	s	L	l	H	f	α°			
S08K-SCZCR/L06	●		Φ10	8	6.5	125	25	7	2.2	13°	CC□□0602□□	M2.5X5	T-8
S10K-SCZCR/L06	●	●	Φ12	10	7.5	125	27	9	2.2	12°		M2.5X6	
S12M-SCZCR/L06	●	●	Φ14	12	8.5	150	32	11	2.2	10°			
S16Q-SCZCR/L06	●	●	Φ18	16	10.5	180	30	15	2.2	8°			
S16Q-SCZCR/L09			Φ21	16	13	180	35	15	4.5	10°	CC□□09T3□□	M3.5X9	T-15
S20Q-SCZCR/L09			Φ25	20	15	180	40	18	4.5	8°			
S25R-SCZCR/L09			Φ32	26	18	200	42	23	5	6°			

SDQCR/L



Designation	Stock		Size								Inserts	Screw	Wrench	
	R	L	d _{min}	Ød	s	L	l	H	f	α°				
S08K-SDQCR/L07	●	●	Φ10	7	6	125	18	7	1.7	12°	DC□□0702□□	M2.5X5	T-8	
S10K-SDQCR/L07	●	●	Φ11	10	7	125	24	9	1.7	10°				M2.5X6
S12M-SDQCR/L07	●	●	Φ15	12	9	150	30	11	2.7	8°				
S16Q-SDQCR/L07	●	●	Φ17	16	11	180	30	15	2.7	6°				
S20Q-SDQCR/L11	●	●	Φ23	20	13	180	42	18	2.7	5°	DC□□11T3□□	M3.5X9	T-15	
S25R-SDQCR/L11	●	●	Φ29	25	17	200	42.5	23	4	4°				
S32S-SDQCR/L11	●	●	Φ40	32	22	250	45	30	5.5	4°				