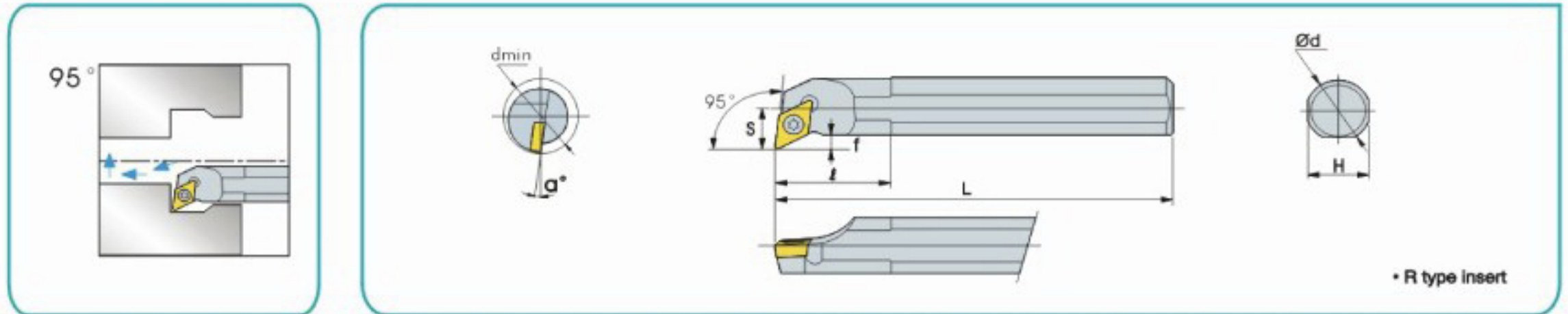
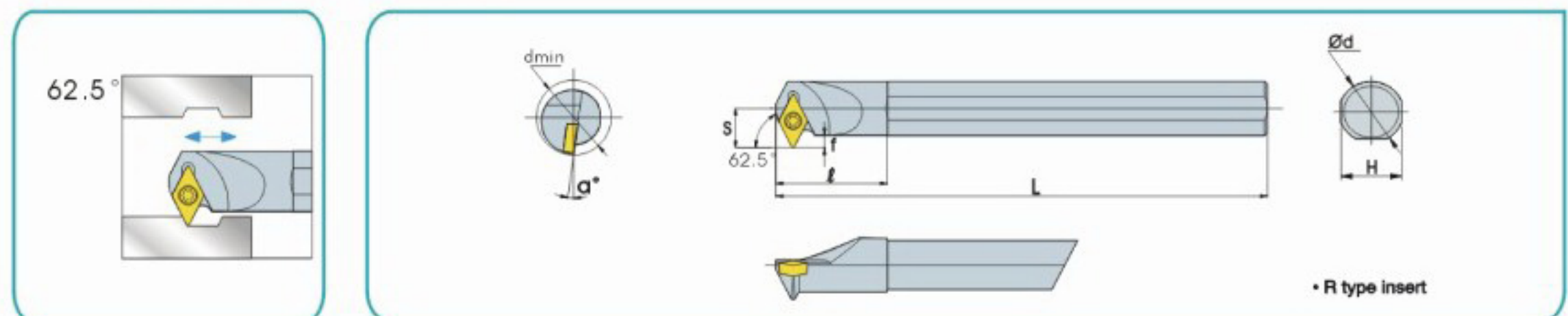


SDUCR/L



Designation	Stock		Size								Inserts	Screw	Wrench
	R	L	dmin	Φd	s	L	ℓ	H	f	α°			
S10K-SDUCR/L07	●	●	Φ15	10	8	125	25	9	2.7	10°	DC□□0702□□	M2.5X5	T-8
S12M-SDUCR/L07	●	●	Φ17	12	9	150	25	11	2.7	8°		M2.5X6	
S16Q-SDUCR/L07	●	●	Φ22	16	11	180	30	15	2.7	6°			
S16Q-SDUCR/L11	●	●	Φ19	16	11	180	34	15	2.7	8°	DC□□11T3□□	M3.5X9	T-15
S20Q-SDUCR/L11	●	●	Φ23	20	13	180	40	18	2.7	6°			
S25R-SDUCR/L11	●	●	Φ29	25	17	200	42	23	4	5°			
S32S-SDUCR/L11	●	●	Φ38	32	22	250	45	30	5.5	4°			
S40T-SDUCR/L11	●		Φ45	40	25	300	50	38	4.5	4°			
S50U-SDUCR/L11			Φ60	50	31	350	55	48	5.5	0°			

SDWCR/L



Designation	Stock		尺寸 Size								Inserts	Screw	Wrench
	R	L	dmin	Φd	s	L	ℓ	H	f	α°			
S12M-SDWCR/L07	●	●	Φ16	12	10.5	150	25	11	4.2	10°	DC□□0702□□	M2.5X5	T-8
S16Q-SDWCR/L07	●	●	Φ20	16	12.5	180	34.5	15	4.2	8°		M2.5X6	
S20Q-SDWCR/L07			Φ27	20	14.5	180	30	18	4.2	6°			
S20Q-SDWCR/L11	●	●	Φ24	20	14.5	180	40	18	4.2	6°	DC□□11T3□□	M3.5X9	T-15
S25R-SDWCR/L11	●	●	Φ29	25	17	200	45	23	4.2	5°			
S32S-SDWCR/L11			Φ40	32	22	250	45	30	5.5	2°			