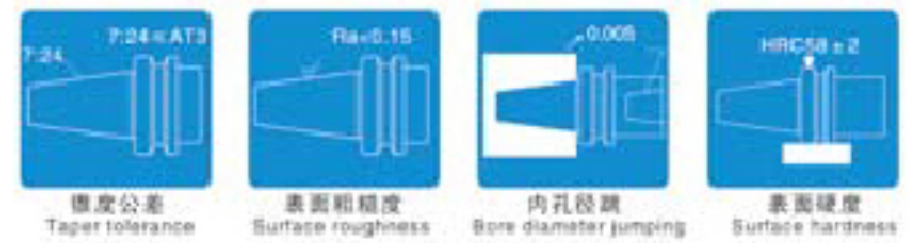
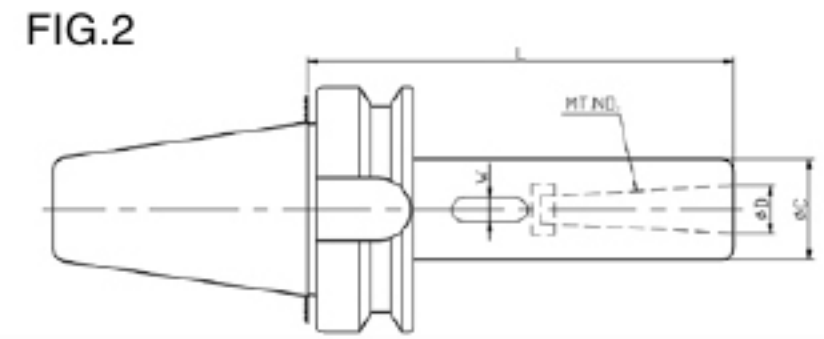
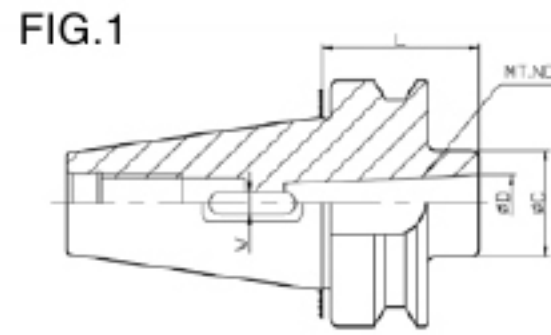


CD1101-01 BT扁尾式莫氏变径套 BT MORSE TAPER SLEEVE (TYPE A)



型号 Model No.	MT NO.	D	L	C	W	Fig.	KGS
BT30	MTA1-45	12.065	45	25	5.6	1	0.8
	MTA1-105	12.065	105	25	5.6	2	0.9
	MTA2-60	17.78	60	32	6.6	1	0.9
	MTA2-120	17.78	120	32	6.6	2	1.2
	MTA3-80	23.825	80	40	8.4	1	1.1
BT40	MTA1-45	12.065	45	25	5.6	1	1
	MTA1-120	12.065	120	25	5.6	2	1.3
	MTA2-45	17.78	45	32	6.6	1	1.1
	MTA2-120	17.78	120	32	6.6	2	1.4
	MTA3-75	23.825	75	40	8.4	1	1.2
	MTA3-135	23.825	135	40	8.4	2	1.8
	MTA4-90	31.267	90	50	12.4	1	1.4
	MTA4-165	31.267	165	50	12.4	2	2.4
BT50	MTA1-45	12.065	45	25	5.6	1	4
	MTA1-120	12.065	120	25	5.6	2	4.3
	MTA1-180	12.065	180	25	5.6	2	4.3
	MTA2-45	17.78	45	32	6.6	1	4
	MTA2-135	17.78	135	32	6.6	2	4.4
	MTA2-180	17.78	180	32	6.6	2	4.6
	MTA3-45	23.825	45	40	8.4	1	3.9
	MTA3-150	23.825	150	40	8.4	2	4.7
	MTA3-180	23.825	180	40	8.4	2	4.9
	MTA4-75	31.267	75	50	12.4	1	4
	MTA4-180	31.267	180	50	12.4	2	5.4
	MTA5-105	44.399	105	65	16.5	1	4.6

SHANK	MT1	MT2	MT3	MT4	MT5
DRILL MIN	2	14.1	23.1	23.1	50.1
DIA MAX	14	23	32	50	75