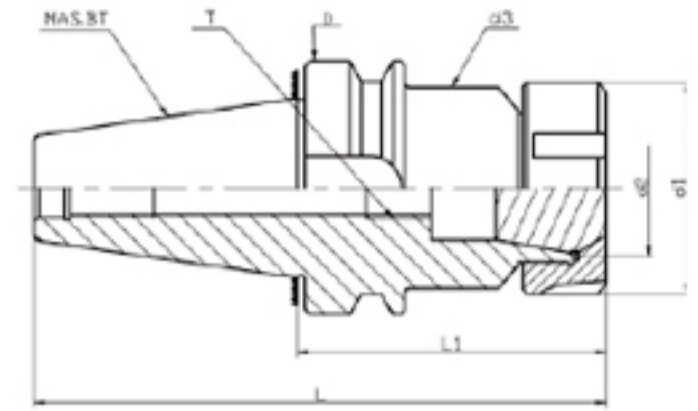


高精度ER铣夹头系列 HIGH ACCURACY ER MILLING CHUCK SERIES

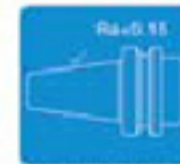
CD0102-06 BT/ER筒夹刀柄 BT/ER COLLET CHUCK



◆精做动平衡 Precision dynamic balancing
G6.3: 12000rpm/15000rpm/18000rpm
G2.5: 15000rpm/20000rpm/25000rpm



锥度公差
Taper tolerance



表面粗糙度
Surface roughness



内孔径跳动
Bore diameter jumping



表面硬度
Surface hardness

型号 Model No.	L	L1	D	d1	d2	d3	T	KGS				
BT30-ER11-60	108.4	60	46	19	11	19	M6X1P	0.45				
BT30-ER11-70	118.4	70						0.5				
BT30-ER11-100	148.4	100						0.6				
BT30-ER16-60	148.4	60		28	16	28	M11X1P	0.5				
BT30-ER16-70	118.4	70						0.55				
BT30-ER16-100	148.4	100						0.8				
BT30-ER16-120	168.4	120						0.95				
BT30-ER20-60	108.4	60						34	20	34	M14X1P	0.7
BT30-ER20-70	118.4	70										0.75
BT30-ER20-100	148.4	100		0.90								
BT30-ER25-60	108.4	60		42	25	42	M18X1P	0.65				
BT30-ER25-70	118.4	70						0.7				
BT30-ER25-100	148.4	100						1.45				
BT30-ER32-60	108.4	60		50	32	45	M22X1.5P	0.8				
BT30-ER32-70	118.4	70						0.85				
BT30-ER32-100	148.4	100						1				
BT30-ER40-80	128.4	80	63					40	63	M28X1.5P	1.1	
BT30-ER40-100	148.4	100		1.3								
BT40-ER11-60	125.4	60	63	19	11	19	M6 × 1P	1.2				
BT40-ER11-70	118.4	70						1.25				
BT40-ER11-100	165.4	100						1.3				
BT40-ER16-70	135.4	70		28	16	28	M11X1P	1.36				
BT40-ER16-100	165.4	100						1.54				
BT40-ER16-125	190.4	125						1.6				
BT40-ER16-150	215.4	150						1.86				
BT40-ER20-70	135.4	70						34	20	34	M14X1P	1.7
BT40-ER20-100	165.4	100										1.8
BT40-ER20-150	215.4	150		2.1								
BT40-ER25-70	135.4	70		42	25	42	M18X1P	1.9				
BT40-ER25-100	165.4	100						2.25				
BT40-ER25-150	215.4	150						2.75				
BT40-ER32-70	135.4	70		50	32	50	M22X1.5P	2.5				
BT40-ER32-100	165.4	100						2.8				
BT40-ER32-125	190.4	125						3.0				
BT40-ER32-150	215.4	150						3.05				
BT40-ER40-70	135.4	70		63	63	40	63	M28X1.5P	2.3			
BT40-ER40-80	145.4	80							2.5			
BT40-ER40-100	165.4	100							3.1			
BT40-ER40-120	185.4	120							3.7			
BT40-ER40-150	215.4	150			4.1							
BT40-ER50-85	150.4	85			78	50	59	M28X1.5P	3.1			
BT40-ER50-100	165.4	100							3.2			

注：客户在订购刀柄时需注明刀柄本体的冷却形式：A型、AD型、AD+B型。例如BT40 (AD+B) -ER16-70。

Note: when ordering please indicate in the form of cooling the handle of the ontology: A, AD, AD+B. For example BT40 (AD+B) -ER16-70.