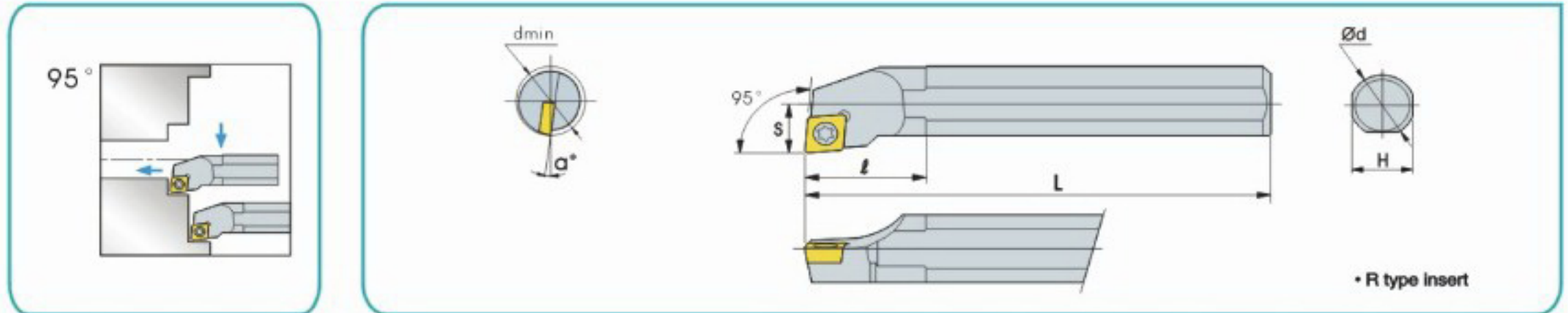


## » SCLCR/L



Designation	Stock		Size							Inserts	Screw	Wrench
	R	L	dmin	φd	s	L	ℓ	H	α°			
S07K-SCLCR/L06	●	●	φ8	8	5	125	18	7	15°	CC□□0602□□	M2.5X5	T-8
S08K-SCLCR/L06	●	●	φ9	8	5.5	125	18	7	13°			
S08K-SCLCR/L06-A16	●	●	φ16	16	5	125	24	15	13°			
S10K-SCLCR/L06	●	●	φ11	10	7	125	22	9	12°			
S10K-SCLCR/L06-A16	●	●	φ11	16	6	125	30	15	12°			
S12M-SCLCR/L06	●	●	φ13	12	8	150	25	11	10°		M2.5X6	
S12M-SCLCR/L09	●	●	φ16	14	5.5	150	27	13	10°	CC□□09T3□□	M3.5X9	T-15
S14M-SCLCR/L09	●	●	φ16	12	8	150	27	11	12°			
S16Q-SCLCR/L09	●	●	φ17	16	11	180	34	15	10°			
S20Q-SCLCR/L09	●	●	φ21	20	13	38	38	18	8°			
S25R-SCLCR/L09	●	●	φ26	25	17	45	45	23	6°			
S32S-SCLCR/L09	●	●	φ33	32	22	45	45	30	4°			
S20Q-SCLCR/L12	●	●	φ21	20	13	42	42	18	8°	CC□□1204□□	M5X12	T-20
S25R-SCLCR/L12	●	●	φ26	25	17	45	45	23	8°			
S32S-SCLCR/L12	●	●	φ33	32	22	45	45	30	6°			
S40T-SCLCR/L12	●	●	φ41	40	27	48	48	38	4°			