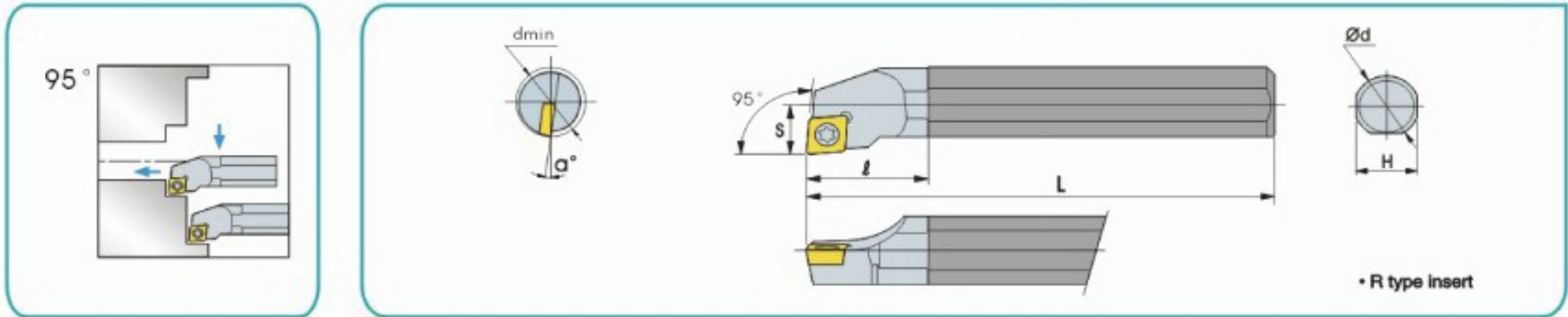
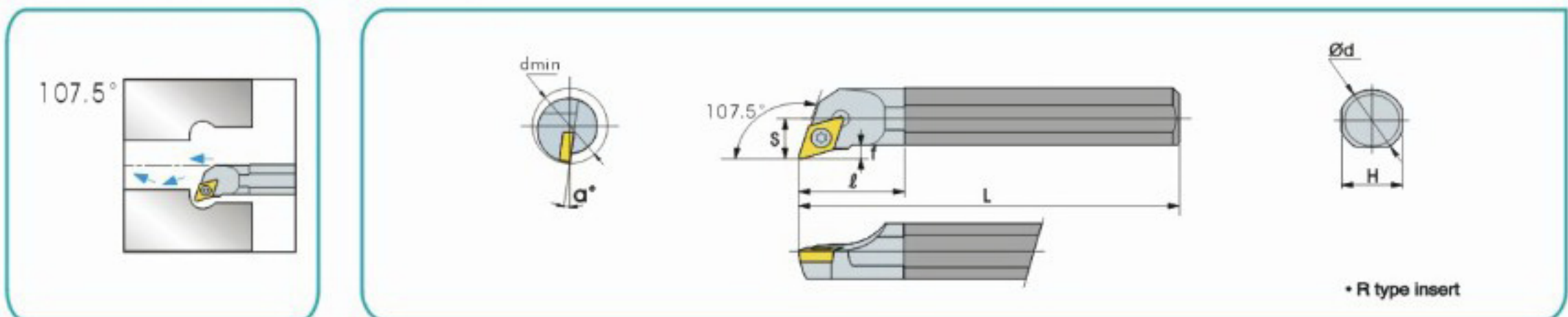


» SCLCR/L



Designation	Stock		Size							Inserts	Screw	Wrench
	R	L	d _{min}	φd	S	L	ℓ	H	α°			
C07K-SCLCR/L06	●		φ 8	8	5	125	18	7	15°	CC□□0602□□	M2.5X5	T-8
C08K-SCLCR/L06	●		φ 9	8	5.5	125	18	7	13°		M2.5X6	
C10M-SCLCR/L06	●		φ 11	10	7	125	22	9	12°			
C12Q-SCLCR/L06	●		φ 13	12	8	150	25	11	10°			
C12Q-SCLCR/L09	●		φ 16	14	5.5	160	27	13	10°	CC□□09T3□□	M3.5X9	T-15
C16R-SCLCR/L09	●		φ 17	16	11	180	34	15	10°			
C20S-SCLCR/L09	●		φ 21	20	13	180	38	18	8°			
C25T-SCLCR/L09	●		φ 26	25	17	200	45	23	6°			

» SDQCR/L



Designation	Stock		Size							Inserts	Screw	Wrench	
	R	L	d _{min}	φd	S	L	H	r	α°				
C08K-SDQCR/L07	●		φ 10	7	6	125	18	7	1.7	12°	DC□□0702□□	M2.5X5	T-8
C10M-SDQCR/L07	●		φ 11	10	7	125	24	9	1.7	10°		M2.5X6	
C12Q-SDQCR/L07	●		φ 15	12	9	150	30	11	2.7	8°			
C16R-SDQCR/L07	●		φ 17	16	11	180	30	15	2.7	6°			
C20S-SDQCR/L11	●		φ 23	20	13	180	42	18	2.7	5°	DC□□11T3□□	M3.5X9	T-15
C25T-SDQCR/L11	●		φ 29	25	17	200	42.5	23	4	4°			